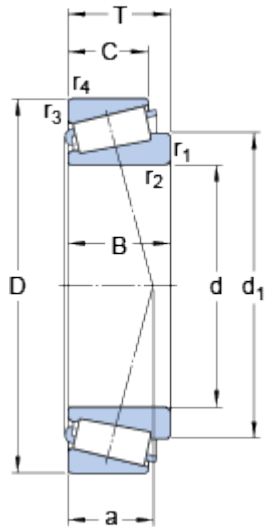


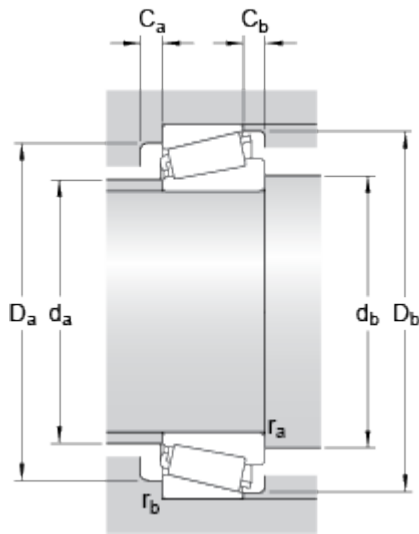
JM 714249/210/Q

Dimensions



d		75	mm
D		120	mm
T		31	mm
d ₁	≈	98.1	mm
B		29.5	mm
C		25	mm
r _{1,2}	min.	3	mm
r _{3,4}	min.	2.5	mm
a		28	mm

Abutment dimensions



d _a	max.	84	mm
d _b	min.	87	mm
D _a	min.	104	mm
D _a	max.	109	mm
D _b	min.	115	mm
C _a	min.	5	mm
C _b	min.	6	mm
r _a	max.	2.5	mm
r _b	max.	2	mm

Calculation data

Basic dynamic load rating	C	138	kN
Basic static load rating	C ₀	216	kN
Fatigue load limit	P _u	25	kN
Reference speed		3800	r/min
Limiting speed		5600	r/min
Calculation factor	e	0.44	
Calculation factor	Y	1.35	

Calculation factor

Y_0

0.8

Mass

Mass bearing

1.306

kg